

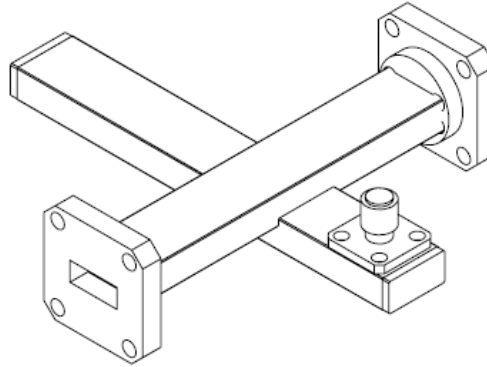


Model Number:
WGC-XX-197028

RF Components

C-Band Cross Guide Coupler

5.85 - 8.2GHz



Specification				
WG Size	WG14 / WR137 / R70			
Coupling	20±1.5 dB	30±1.0 dB	40±1.0 dB	50±1.0 dB
Frequency Range	5.85 - 8.2GHz			
Finish	Brass Flanges Copper WG Black Paint			
Flange Options	CPR 137G (CG) / CPR 137F (CF) PDR 70 (PD) / UDR 70 (UD) UG344/U (US) / UAR 70 (UA) / PAR 70 (PA) UG343B/U (UG) / UG344/U (UF)			
RF Connector Options	50 Ω SMA Male (S4) /Female (S5) 50 Ω N-type Male (N4) /Female (N5)			
Main Line VSWR / Return Loss (max)	1.3:1 / 17.4	1.2:1 / 20.4	1.05:1 / 32.3	1.05:1 / 32.3
Directivity (typ)	20 dB	20 dB	20 dB	20 dB
Dimensions	A-200mm B-100mm C-17mm			

Model Numbers						
Example: WGC-20-197028-UBPB5						
WG	C	20	197028	UB	PB	N5
Waveguide	C-Cross Guide D-Dual Arm B-Broad wall	Coupling Factor	Model Number	Flange 1	Flange 2	RF connector

Broadcast



Marine Oil & Gas



SNG & VSAT



Satellite Teleport

